

只限教師參閱

FOR TEACHERS' USE ONLY

香港考試局

HONG KONG EXAMINATIONS AUTHORITY

一九九六年香港中學會考

HONG KONG CERTIFICATE OF EDUCATION EXAMINATION, 1996

數學 試卷一

MATHEMATICS PAPER I

本評卷參考乃考試局專為今年本科考試而編寫，供閱卷員參考之用。閱卷員在完成閱卷工作後，若將本評卷參考提供其任教會考班的本科同事參閱，本局不表反對，但須切記，在任何情況下均不得容許本評卷參考落入學生手中。學生若索閱或求取此等文件，閱卷員/教師應嚴詞拒絕，因學生極可能將評卷參考視為標準答案，以致但知硬背死記，活剝生吞。這種落伍的學習態度，既不符現代教育原則，亦有違考試着重理解能力與運用技巧之旨。因此，本局籲請各閱卷員/教師通力合作，堅守上述原則。

This marking scheme has been prepared by the Hong Kong Examinations Authority for markers' reference. The Examinations Authority has no objection to markers sharing it, after the completion of marking, with colleagues who are teaching the subject. However, under no circumstances should it be given to students because they are likely to regard it as a set of model answers. Markers/teachers should therefore firmly resist students' requests for access to this document. Our examinations emphasise the testing of understanding, the practical application of knowledge and the use of processing skills. Hence the use of model answers, or anything else which encourages rote memorisation, should be considered outmoded and pedagogically unsound. The Examinations Authority is counting on the co-operation of markers/teachers in this regard.

考試結束後，各科評卷參考將存放於教師中心，供教師參閱。

After the examinations, marking schemes will be available for reference at the Teachers' Centres.

© 香港考試局 保留版權
Hong Kong Examinations Authority
All Rights Reserved 1996



96-CE-MATHS I-1

只限教師參閱

FOR TEACHERS' USE ONLY

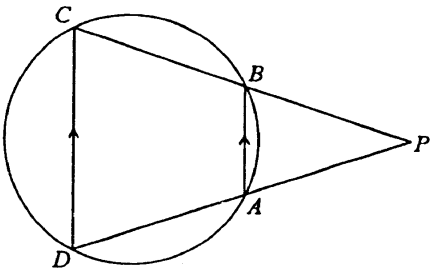
Hong Kong Certificate of Education Examination
Mathematics Paper I

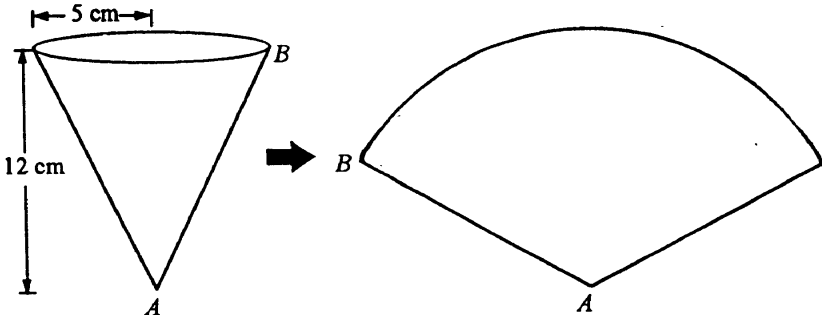
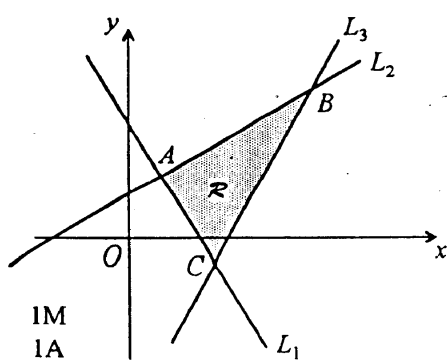
NOTES FOR MARKERS

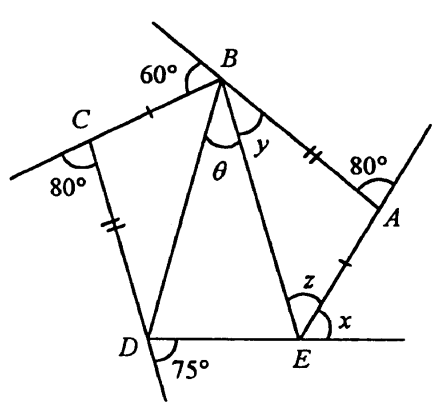
1. It is very important that all markers should adhere as closely as possible to the marking scheme. In many cases, however, candidates will have obtained a correct answer by an alternative method not specified in the marking scheme. In general, a correct answer merits *all the marks* allocated to that part, provided that the method used is sound.
2. In a question consisting of several parts each depending on the previous parts, marks may be awarded to steps or methods correctly deduced from previous erroneous answers. However, marks for the corresponding answers should NOT be awarded. In the marking scheme, marks are classified as:

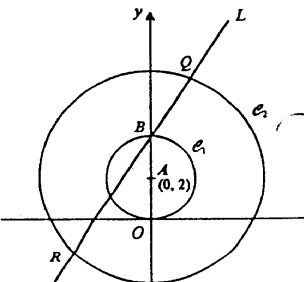
‘M’ marks	awarded for correct methods being used;
‘A’ marks	awarded for the accuracy of the answers;
Others	awarded for correctly completing a proof or arriving at an answer given in a question.
3. Use of notation different from those in the marking scheme should not be penalised.
4. Each mark deducted for *poor presentation* (p.p.) should be denoted by [pp-1] :
 - a. At most deduct 1 mark for (p.p.) in each question, up to a maximum of 3 marks for the whole paper.
 - b. For similar (p.p.), deduct 1 mark for the first time that it occurs.
i.e. do not penalise candidates twice in the paper for the same p.p.
5. Each Mark deducted for *wrong/no unit* (u.) should be denoted by [u-1] :
 - a. No mark can be deducted for (u.) in Section A.
 - b. At most deduct 1 mark for (u.) for the whole paper.
6. Marks entered in the Page Total Box should be the NET total scored on that page.

Solution	Marks	Remarks
1. $r = \frac{h-a}{1+p^2}$ $r = \frac{8-6}{1+(-4)^2}$ $= \frac{2}{17}$ (or 0.118)	1A 1M 1A	r.t. 0.118
<u>OR</u> $8 = 6 + r[1 + (-4)^2]$ $2 = 17r$ $r = \frac{2}{17}$ (or 0.118)	1A 1A	r.t. 0.118
2. $\frac{a^{\frac{5}{4}} \sqrt[4]{a^3}}{a^{-2}} = \frac{a^{\frac{5}{4}} a^{\frac{3}{4}}}{a^{-2}}$ $= a^{\frac{5}{4} + \frac{3}{4} - (-2)}$ $= a^4$	(3) 1A 1M 1A (3)	For $\sqrt[4]{a^3} = a^{\frac{3}{4}}$ For applying either $a^m a^n = a^{m+n}$ or $\frac{a^m}{a^n} = a^{m-n}$.
3. (a) 4, 1, -2, -5 (b) $S_{100} = \frac{100}{2} [2(4) + (100-1)(-3)]$ $= -14450$	1A 1M+1A 1A	1M for $\frac{100}{2} [2a + (100-1)d]$, a is the 1st term in (a). r.t. -14500
<u>OR</u> $T_{100} = 4 + (100-1)(-3) = -293$ $S_{100} = \frac{100}{2} [4 + (-293)]$ $= -14450$	1A 1M 1A	
4. Let $f(x) = x^3 - x^2 - 3x - 1$, then $f(-1) = (-1)^3 - (-1)^2 - 3(-1) - 1 = 0$. $\therefore x + 1$ is a factor of $x^3 - x^2 - 3x - 1$. $x^3 - x^2 - 3x - 1 = 0$ $(x+1)(x^2 - 2x - 1) = 0$ $x = -1$ or $\frac{2 \pm \sqrt{(-2)^2 - 4(-1)}}{2}$ $x = -1$ or $1 \pm \sqrt{2}$	(4) 1A 1A 1A+1M 1A (5)	Accept using long or synthetic division pp-1 for not defining $f(x)$ 1A for $x = -1$ 1M for quad. formula For $x = 1 \pm \sqrt{2}$

Solution	Marks	Remarks
<p>5.</p> <p>(i) $x > 3$</p> <p>(ii) $(x-2)(x-4) < 0$ $2 < x < 4$</p> <p>Solution of (i) and (ii): $3 < x < 4$</p>	<p>1A</p> <p>1A</p> <p>2A</p> <p>1A</p> <hr/> <p>(5)</p>	<p>Accept graphical solutions. Withhold 1 mark for having equal signs in inequalities.</p> <p>For factorization, can be omitted</p> <p>Accept "$x > 2$ and $x < 4$"</p>
<p>6. $\therefore \angle ABP = \angle DCB$ (corr. \angles, $AB \parallel DC$)</p> <p>$\angle DCB = \angle BAP$ (ext. \angle, cyclic quad.)</p> <p>$\angle ABP = \angle BAP$</p> <p>$\therefore AP = BP$ (sides opp. equal \angles)</p> 		<p>“同位角，$AB \parallel DC$”</p> <p>“圓內接四邊形外角”</p> <p>Or “base \angles equal”, “converse of ‘base \angles, iso. Δ’”, “equal \angles, equal sides”</p> <p>“等角對邊相等” 或 “等腰三角形底角等的逆定理” 或 “底角相等” 或 “等邊對等角” 或 “等角對等邊”</p>
<p>Marking scheme:</p>		
<p>Case 1 Any correct proof with correct reasons.</p>	<p>5</p>	
<p>Case 2 Any correct proof without reasons.</p> <p>In addition, any correct argument with correct reason.</p>	<p>3</p> <p>1</p>	<p>Maximum 1 mark</p>
<p>Case 3 Any correct argument with correct reason.</p>	<p>1</p>	<p>Maximum 2 marks</p>
<p>7. (a) Area of the shaded region = $(12^2 - 2^2)\pi \text{ cm}^2$ $= 140\pi \text{ cm}^2$ (or 440 cm^2)</p> <p>(b) (i) The probability that both darts hit the shaded region $= \left(\frac{140\pi}{144\pi}\right)^2$ (or 0.972^2) $= \frac{1225}{1296}$ (or 0.945)</p> <p>(ii) The probability that only one dart hits the shaded region $= 2\left(\frac{140\pi}{144\pi}\right)\left(\frac{4\pi}{144\pi}\right)$ $= \frac{35}{648}$ (or 0.0540)</p>	<p>1A</p> <p>1M+1M</p> <p>1A</p> <p>1M+1M</p> <p>1A</p> <hr/> <p>(7)</p>	<p>r.t. 440</p> <p>1M for $\frac{\text{Ans. in (a)}}{\text{Area of the board}}$ 1M for p^2</p> <p>r.t. 0.945</p> <p>1M for $p(1-p)$ 1M for $2p$ or $p+p$</p> <p>r.t. 0.0540</p> <p>pp-1 if no text in (b)</p>

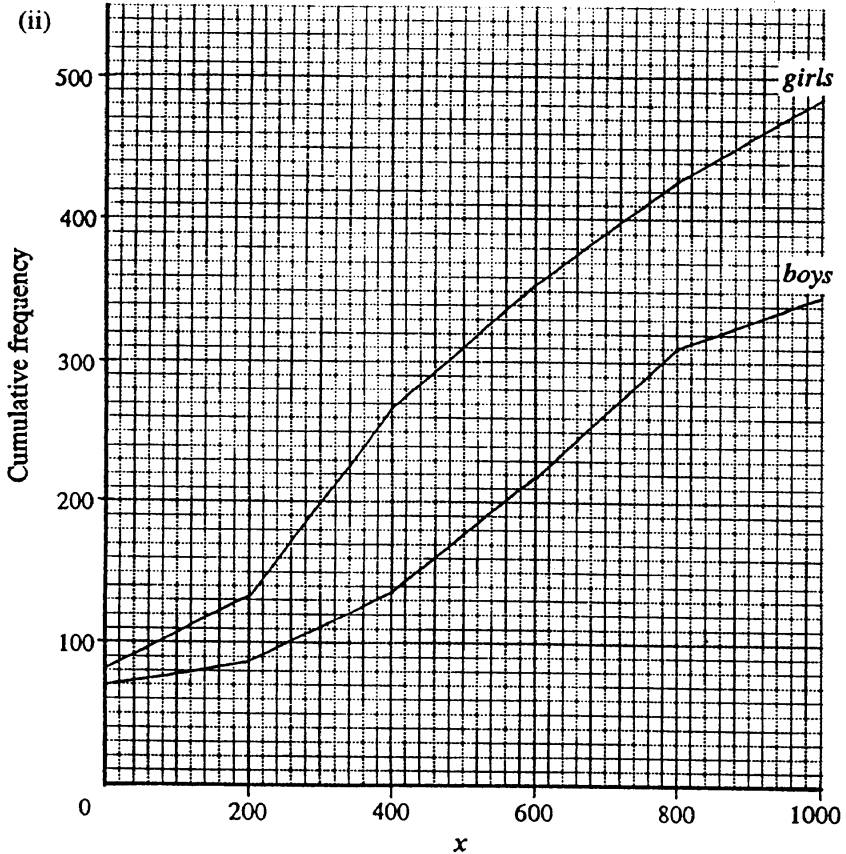
Solution	Marks	Remarks
8. (a) Capacity = $\frac{1}{3}\pi(5)^2(12)$ cm ³ ≈ 314 cm ³ (or 100π cm ³) (b) (i) $AB = \sqrt{5^2 + 12^2}$ cm = 13 cm Area of the sector = $\pi(5)(13)$ cm ² ≈ 204 cm ² (or 65π cm ²)	1A 1A 1M 1A	r.t. 314 r.t. 204
<u>OR</u> Arc length of the sector = 10π cm Area of the sector = $\frac{1}{2} \cdot 13 \cdot 10\pi$ cm ² ≈ 204 cm ² (or 65π cm ²)	1A+1M 1A	1A for 13 r.t. 204
(ii) Angle of the sector = $\frac{65\pi}{13^2\pi} \times 360^\circ$ $\approx 138^\circ$	1M 1A	r.t. 138
<u>OR</u> Let the angle of the sector be θ . $\frac{1}{2}(13)^2\theta = 65\pi$ $\theta = \frac{10}{13}\pi$ (or 2.42)	1M 1A	r.t. 2.42
<u>OR</u> Angle of the sector = $\frac{10\pi}{13}$ (or 2.42)	1M+1A	1M for $\frac{\text{Arc length}}{AB}$, r.t. 2.42
	(6)	
9. (a) $3x + 2y - 7 = 0$(1) $2x - y - 7 = 0$(3) (3)×2 + (1): $7x - 21 = 0$ $x = 3, y = -1$ $\therefore C = (3, -1)$	1M 1A	
(b) $3x + 2y \geq 7$ $3x - 5y \geq -7$ $2x - y \leq 7$	} 1A+1A	1A for any one being correct Withhold 1 mark for strict inequalities
(c) Let $P(x, y) = 2x - 2y - 7$, then $P(1, 2) = -9, P(6, 5) = -5, P(3, -1) = 1$. \therefore The maximum value of $2x - 2y - 7$ is 1.	1M 1A (6)	For testing any one of these pts. ft.

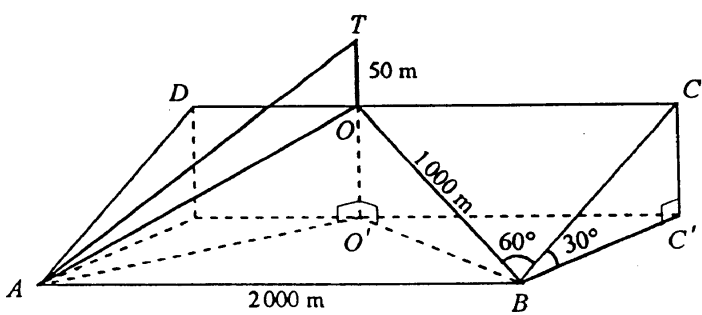
Solution	Marks	Remarks
<p>10. (a) $x = 360^\circ - (80^\circ + 60^\circ + 80^\circ + 75^\circ)$ $= 65^\circ$</p> <p>(b) $\triangle ABE \cong \triangle CDB$</p> <p>(c) $60^\circ + z + \theta + y = 180$ $\therefore y + z = 80^\circ$ $\therefore \theta = 180^\circ - 60^\circ - 80^\circ = 40^\circ$ $\angle BDE = \frac{180^\circ - 40^\circ}{2} = 70^\circ$ $y = 180^\circ - 75^\circ - 70^\circ = 35^\circ$ $z = 80^\circ - 35^\circ = 45^\circ$</p>	<p>1A</p> <p>1A</p> <p>1A</p> <p>1A</p> <p>1M</p> <p>1A</p> <p>1A</p>	
<p>OR $\angle BDE = \angle BED$ $180^\circ - 75^\circ - y = 180^\circ - 65^\circ - z$ $z - y = 10^\circ \dots\dots\dots(1)$ $y + z = 80^\circ \dots\dots\dots(2)$ Solving (1) and (2), $y = 35^\circ$ $z = 45^\circ$ $\theta = 180^\circ - 60^\circ - 35^\circ - 45^\circ = 40^\circ$</p>	<p>1M</p> <p>1A</p> <p>1A</p> <p>1A</p> <p>1A</p>	
	<p>(7)</p>	

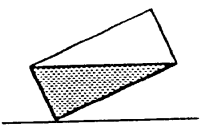
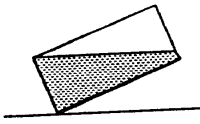
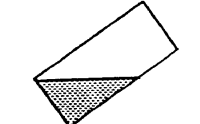
Solution	Marks	Remarks
11. (a) (i) Equation of \mathcal{C}_1 : $x^2 + (y-2)^2 = 4$ (or $x^2 + y^2 - 4y = 0$)	1A	
(ii) $B = (0, 4)$ Equation of L : $y = 2x + 4$	1A 1A	Can be omitted Or equivalent
(b) $\begin{cases} x^2 + (y-2)^2 = 25 \\ y = 2x + 4 \end{cases}$ $x^2 + (2x+4-2)^2 = 25$ (or $(y-4)^2 + 4(y-2)^2 = 100$) $5x^2 + 8x - 21 = 0$ (or $5y^2 - 24y - 68 = 0$) $(5x-7)(x+3) = 0$ $x = \frac{7}{5}$ or -3 . ($y = \frac{34}{5}$ or -2) $Q = (\frac{7}{5}, \frac{34}{5})$ [or $(1.4, 6.8)$], $R = (-3, -2)$.	1M 1A 1A 1A 1A	Eliminate either x or y Accepted $x = 1.4$ or -3 , $y = 6.8$ or -2 . Must indicate Q and R
(c) (i) The mid-point of QR is the point on L which is nearest to A . Mid-point of $QR = \left(\frac{\frac{7}{5} + (-3)}{2}, \frac{\frac{34}{5} + (-2)}{2} \right)$ $= (-\frac{4}{5}, \frac{12}{5})$ [or $(-0.8, 2.4)$]	1M 1A	Attempt to find mid-pt. of QR
<p><u>OR</u> Let L' be the line through A perpendicular to L. Equation of L' : $\frac{y-2}{x} = -\frac{1}{2}$ or $x + 2y - 4 = 0$ The required point is the intersection of L and $L' = (-\frac{4}{5}, \frac{12}{5})$.</p>		
(ii) The intersection of QA and \mathcal{C}_1 is the pt. on \mathcal{C}_1 which is nearest to Q . The required point is $\left(\frac{3(0) + 2(\frac{7}{5})}{5}, \frac{3(2) + 2(\frac{34}{5})}{5} \right)$ $= (\frac{14}{25}, \frac{98}{25})$ [or $(0.56, 3.92)$]	1M 1M 1A	
<p><u>OR</u> Equation of QA : $24x - 7y + 14 = 0$ Solving the equations of QA and \mathcal{C}_1, we have $625y^2 - 2500y + 196 = 0$ $y = \frac{2}{25}$ (rej.) or $\frac{98}{25}$ The required pt. is $(\frac{14}{25}, \frac{98}{25})$ [or $(0.56, 3.92)$]</p>		

	Solution	Marks	Remarks																														
12. (a) (i)	<p style="text-align: center;">Table 1 (Mr. Chan)</p> <table border="1" style="width: 100%; border-collapse: collapse; text-align: center;"> <thead> <tr> <th>Month</th> <th>Loan Interest (\$)</th> <th>Loan Repaid (\$)</th> <th>Outstanding Balance (\$)</th> </tr> </thead> <tbody> <tr> <td>1</td> <td>750.00</td> <td>8 250.00</td> <td>41 750.00</td> </tr> <tr> <td>2</td> <td>626.25</td> <td>8 373.75</td> <td>33 376.25</td> </tr> <tr> <td>3</td> <td>500.64</td> <td>8 499.36</td> <td>24 876.89</td> </tr> <tr> <td>4</td> <td>(a) 373.15</td> <td>(b) 8 626.85</td> <td>(c) 16 250.04 (05)</td> </tr> <tr> <td>5</td> <td>243.75</td> <td>8 756.25</td> <td>7 493.79 (80)</td> </tr> <tr> <td>6</td> <td>112.41</td> <td>7 493.79 (80)</td> <td>0.00</td> </tr> </tbody> </table>	Month	Loan Interest (\$)	Loan Repaid (\$)	Outstanding Balance (\$)	1	750.00	8 250.00	41 750.00	2	626.25	8 373.75	33 376.25	3	500.64	8 499.36	24 876.89	4	(a) 373.15	(b) 8 626.85	(c) 16 250.04 (05)	5	243.75	8 756.25	7 493.79 (80)	6	112.41	7 493.79 (80)	0.00	IA+IM	1A for (a), 1M for $a + b = 9000$ or $b + c = 24876.89$		
Month	Loan Interest (\$)	Loan Repaid (\$)	Outstanding Balance (\$)																														
1	750.00	8 250.00	41 750.00																														
2	626.25	8 373.75	33 376.25																														
3	500.64	8 499.36	24 876.89																														
4	(a) 373.15	(b) 8 626.85	(c) 16 250.04 (05)																														
5	243.75	8 756.25	7 493.79 (80)																														
6	112.41	7 493.79 (80)	0.00																														
(ii)	Amount of last payment = \$ 7 606.20 (21)	1A	Accept 7606.2																														
(iii)	Total interest earned by the bank = \$ 2 606.20	1A	Accept 2606.2																														
(b)	<p style="text-align: center;">Table 2 (Mrs. Lee)</p> <table border="1" style="width: 100%; border-collapse: collapse; text-align: center;"> <thead> <tr> <th>Month</th> <th>Instalment (\$)</th> <th>Loan Interest (\$)</th> <th>Loan Repaid (\$)</th> <th>Outstanding Balance (\$)</th> </tr> </thead> <tbody> <tr> <td>1</td> <td>9 000.00</td> <td>750.00</td> <td>8 250.00</td> <td>41 750.00</td> </tr> <tr> <td>2</td> <td>10 800.00</td> <td>626.25</td> <td>10 173.75</td> <td>31 576.25</td> </tr> <tr> <td>3</td> <td>12 960.00</td> <td>473.64</td> <td>12 486.36</td> <td>19 089.89</td> </tr> <tr> <td>4</td> <td>15 552.00</td> <td>286.35</td> <td>15 265.65</td> <td>3 824.24</td> </tr> <tr> <td>5</td> <td>3 881.60</td> <td>57.36</td> <td>3 824.24</td> <td>0.00</td> </tr> </tbody> </table>	Month	Instalment (\$)	Loan Interest (\$)	Loan Repaid (\$)	Outstanding Balance (\$)	1	9 000.00	750.00	8 250.00	41 750.00	2	10 800.00	626.25	10 173.75	31 576.25	3	12 960.00	473.64	12 486.36	19 089.89	4	15 552.00	286.35	15 265.65	3 824.24	5	3 881.60	57.36	3 824.24	0.00	1A+1A+1A	1A for 10800.00, 1A for 626.25, 1A for the whole row
Month	Instalment (\$)	Loan Interest (\$)	Loan Repaid (\$)	Outstanding Balance (\$)																													
1	9 000.00	750.00	8 250.00	41 750.00																													
2	10 800.00	626.25	10 173.75	31 576.25																													
3	12 960.00	473.64	12 486.36	19 089.89																													
4	15 552.00	286.35	15 265.65	3 824.24																													
5	3 881.60	57.36	3 824.24	0.00																													
(c)	<p>Mr. Cheung saves \$ 1 2000 each month.</p> <table border="1" style="width: 100%; border-collapse: collapse; text-align: center;"> <thead> <tr> <th>Month</th> <th>Savings (\$)</th> <th>Instalment (\$)</th> <th>Balance (\$)</th> </tr> </thead> <tbody> <tr> <td>1</td> <td>12 000.00</td> <td>9 000.00</td> <td>3 000.00</td> </tr> <tr> <td>2</td> <td>15 000.00</td> <td>10 800.00</td> <td>4 200.00</td> </tr> <tr> <td>3</td> <td>16 200.00</td> <td>12 960.00</td> <td>3 240.00</td> </tr> <tr> <td>4</td> <td>15 240.00</td> <td>15 552.00</td> <td>-312.00</td> </tr> </tbody> </table> <p>Mr. Cheung will not have enough savings to pay the 4th instalment.</p>	Month	Savings (\$)	Instalment (\$)	Balance (\$)	1	12 000.00	9 000.00	3 000.00	2	15 000.00	10 800.00	4 200.00	3	16 200.00	12 960.00	3 240.00	4	15 240.00	15 552.00	-312.00												
Month	Savings (\$)	Instalment (\$)	Balance (\$)																														
1	12 000.00	9 000.00	3 000.00																														
2	15 000.00	10 800.00	4 200.00																														
3	16 200.00	12 960.00	3 240.00																														
4	15 240.00	15 552.00	-312.00																														
<p>Marking Scheme:</p> <p>Mr. Cheung cannot afford to use the repayment scheme as described in (b).</p> <p>Putting the balance \$3000 into his savings after paying the 1st instalment.</p> <p>Showing (the 4th month's instalment) > (the 4th month's savings) i.e. $15552.00 > 15240.00$</p> <p>OR (the 1st 4 months' instalments) > (the 1st 4 months' savings) i.e. $48312 > 48000$</p>		1A																															
		1M	Can be omitted																														
		1A																															

Solution	Marks	Remarks
<p>13. (a) Let $F = k_1xt + k_2t^2$ for some constants k_1 and k_2.</p> <p>Then $Q = 20000 + k_1xt + k_2t^2$.</p> <p>Hence $\begin{cases} 30600 = 20000 + k_1(85)(40) + k_2(40)^2 \\ 28100 = 20000 + k_1(75)(60) + k_2(60)^2 \end{cases}$</p> <p>$\begin{cases} 53 = 17k_1 + 8k_2 \\ 9 = 5k_1 + 4k_2 \end{cases}$</p> <p>$7k_1 = 35$ or $28k_2 = -112$</p> <p>$\begin{cases} k_1 = 5 \\ k_2 = -4 \end{cases}$</p> <p>$\therefore Q = 20000 + 5xt - 4t^2$</p>	<p>1A</p> <p>} 1M+1A</p> <p>} 1A</p> <p>} 1</p>	<p></p> <p>1M for substitution</p> <p>Or equivalent forms</p>
<p>(b) (i) When $x = 82$ and $t = 45$, then</p> <p>$Q = 20000 + 5(82)(45) - 4(45)^2$ $= 30350$</p> <p>(ii) When $Q = 30350$ and $x = 78$, then</p> <p>$30350 = 20000 + 5(78)t - 4t^2$ $4t^2 - 390t + 10350 = 0$ $2t^2 - 195t + 5175 = 0$ $\Delta = 195^2 - 4(2)(5175)$ $= -3375$</p> <p>\therefore There is no real solution for t.</p> <p>Thus it is not possible to achieve the same value of Q in (i) by varying t.</p>	<p>1A</p> <p>1M</p> <p>1M+1A</p>	<p>r.t. 30400</p> <p>Use ans. in (b)(i)</p> <p>ft.</p>
<p>(c) When $x = 80$,</p> <p>$Q = 20000 + 5(80)t - 4t^2$ $= 20000 - 4(t^2 - 100t)$ $= 30000 - 4(t - 50)^2$</p> <p>$\therefore Q$ is maximum when $t = 50$.</p> <p>Thus the amount of time required is 50 seconds.</p>	<p>1M+1A</p> <p>1A</p>	<p>1M for $a+b(t-50)^2$ or $a+b(2t-100)^2$</p>

Solution	Marks	Remarks														
14. (a) The unclearly printed number in Table 3 is 23.7.	1A	pp-1 for 23.7%														
(b) There are rounding off errors.	1A															
(c) (i) The c.f. table of the distribution of x ($x \leq 1000$) for boys <table border="1" data-bbox="300 427 646 656" style="margin-left: 40px;"> <thead> <tr> <th>$x (\leq)$</th> <th>c.f.</th> </tr> </thead> <tbody> <tr><td>0</td><td>70</td></tr> <tr><td>200</td><td>87</td></tr> <tr><td>400</td><td>135</td></tr> <tr><td>600</td><td>218</td></tr> <tr><td>800</td><td>310</td></tr> <tr><td>1000</td><td>346</td></tr> </tbody> </table>	$x (\leq)$	c.f.	0	70	200	87	400	135	600	218	800	310	1000	346	1A 1A	For 87, pp-1 for writing intervals in the left column
$x (\leq)$	c.f.															
0	70															
200	87															
400	135															
600	218															
800	310															
1000	346															
(ii) 	1M+1A															
(iii) The median of x for boys = 490 The median of x for girls = 410	1A 1A	Accept 480–500 Accept 400–420														
(iv) From the cumulative frequency polygons, there are 265(±5) boys and 390(±5) girls spending up to \$700 ∴ The total number = 265+390 = 655	1M 1A	For either one correct or a vertical line through $x=700$ Accept 645–665														
(d) From Tables 3 and 4, 20.0% of boys and 15.0% of girls did not spend any money on buying clothes for Christmas. ∴ In this survey, more boys did not spend any money on buying clothes for Christmas.	1	The exact figures need not be quoted														
We have to consider the percentages instead of the frequencies because the number of boys and the number of girls in this survey are not equal.	1															

Solution	Marks	Remarks
<p>15. (a) $BC = 1000 \cos 60^\circ = 500$ (m) $CC' = 500 \sin 30^\circ = 250$ (m)</p> <p>(b) Let the inclination of BO with the horizontal be α. $\sin \alpha = \frac{250}{1000}$ $\alpha = 14.5^\circ$ (or $14^\circ 29'$)</p> <p>(c) $AO = \sqrt{1000^2 + 2000^2 - 2(1000)(2000) \cos 30^\circ}$ ≈ 1239.31 ≈ 1240 (or $1000\sqrt{5-2\sqrt{3}}$)</p>	<p>1A 1A 1M 1A 2A</p>	<p> r.t. 14.5</p>
<p><u>OR</u> $AD = BC = 1000 \cos 60^\circ$ $DO = DC - OC = (2000 - 1000 \sin 60^\circ)$ $AO = \sqrt{(1000 \cos 60^\circ)^2 + (2000 - 1000 \sin 60^\circ)^2}$ ≈ 1240</p>	<p>1A 1A</p>	<p>For DO</p>
<p>$AO' = \sqrt{(AO)^2 - (OO')^2}$ $\approx \sqrt{(1239.31)^2 - (250)^2}$ ≈ 1213.83</p> <p>$AT = \sqrt{(AO')^2 + (TO')^2}$ $= \sqrt{(1213.83)^2 - (250)^2 + (300)^2}$ ≈ 1250.36 ≈ 1250 (m)</p> <p>(d) Route I takes $\left(\frac{1000}{0.3} + 60\right) \text{ s} \approx 3393 \text{ s}$ (or 56 min. 33 sec.) Route II takes $\left(\frac{2000}{0.8} + \frac{1250.36}{3.2}\right) \text{ s} \approx 2891 \text{ s}$ (or 48 min. 11 sec.) Hence route II takes a shorter time.</p>	<p>1M 1M 1A 1M+1A 1</p>	<p>r.t. 1250 1M for applying $t = \frac{d}{s}$ 1A for either, r.t. 3390, 2890 resp.</p>
		

Solution	Marks	Remarks
<p>16. (a) (i) Area = $[20 \times 30 + 2(20 \times 15 + 30 \times 15)]$ $= 2100 \text{ (cm}^2\text{)}$</p> <p>(ii) Capacity = $20 \times 30 \times 15$ $= 9000 \text{ (cm}^3\text{)}$</p> <p>(b) (i) $\tan \theta = \frac{15}{30}$ $= \frac{1}{2}$ $\theta = 26.6^\circ$ (or $26^\circ 34'$)</p>  <p>(ii) If $\tan \theta = \frac{1}{3}$, then $V = \frac{1}{2} (30)(30 \tan \theta)(20)$ $= \frac{1}{2} (30)(30)(\frac{1}{3})(20)$ $= 3000$</p>  <p>(iii) If $V = 6750$, then $\frac{1}{2} (15)(\frac{15}{\tan \theta})(20) = 9000 - 6750$ $\tan \theta = 1$ $\theta = 45^\circ$</p>  <p>(c) Suppose water is poured out by tilting the edge AB and the inclination of AE with the horizontal is ϕ. Then $\tan \phi = \frac{15}{20} = \frac{3}{4}$ $\therefore \tan \phi > \tan \theta$, ϕ is larger than the value of θ in (b)(i).</p>	<p>IM</p> <p>1A</p> <p>1A</p> <p>1M</p> <p>1A</p> <p>1A</p> <p>1M+1A</p> <p>1A</p> <p>1A</p> <p>1</p>	<p>For any two of 20×30, 20×15 and 30×15</p> <p>For $\frac{CC'}{30}$ with substitution</p> <p>r.t. 26.6</p> <p>1M for $9000 - 6750$ or showing that the water level is below B.</p>
<p>OR Since $AB > AE$ and AD is common, ϕ is larger than the value of θ in (b)(i).</p>	<p>1A</p> <p>1</p>	
